

**Compact "Pancake" Silencer:
Expected Attenuation is 25 to 32 dBA**

The MD32 is engineered to provide a "critical" grade of attenuation while minimizing space usage. It is an excellent choice for packaged power and process skids where space is a premium. Dual inlets and other custom designs can be easily incorporated.

Low temperature design not only reduces skin temperature, but radiated noise as well.

These units feature heavy duty, welded construction with temperature resistant insulation within a double wall construction. The inlet and outlets are standard with ANSI drilled 125/150 lb flanges.

Standard finish is high temperature resistant silicone black. Alternate finishes are available upon request. Standard material is carbon steel, but stainless steel construction is available.

A minimum 3" gap is recommended between the silencer and roof.

OVERVIEW

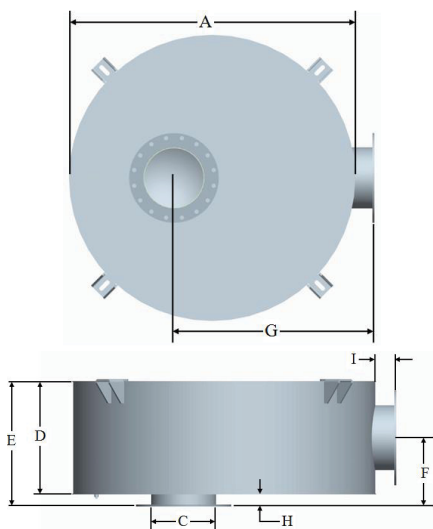
- FEATURES**
- Low surface temperature design
 - Heavy duty, welded construction
 - ANSI drilled flanges on inlet and outlet
 - High-temperature, prime coated black finish
 - 2" thick internal insulation
 - Lift lugs

OPTIONAL ACCESSORIES

- Stainless steel construction
- Custom inlet and outlet size and location
- Support brackets
- Special paint

TYPICAL APPLICATIONS

- Internal combustion engines
- Process skids
- Genset enclosures
- Marine engines



Size	A	C	D	E	F	G	H	I	Est. Wt.
4"	28	4	9	11	6.5	18	2	4	130
5"	29	5	11	13	7.5	18.5	2	4	150
6"	33	6	12	14	8	20.5	2	4	192
8"	45	8	14	16	9	26.5	2	4	341
10"	52	10	16	18	10	30	2	4	561
12"	62	12	18	20	11	35	2	4	816
14"	64	14	23	26	14.5	37	3	5	950
16"	74	16	25	28	15.5	42	3	5	1388
18"	84	18	27	30	16.5	47	3	5	1856
20"	92	20	28	31	17	51	3	5	2186

Note: Dimensions are in inches, weights are in pounds

