

OVERVIEW

**Thin Line Silencer:
Expected Attenuation is 30 to 40 dBA**

The MR42 is engineered to provide a “super critical” grade of attenuation while minimizing space usage. It is designed specifically for enclosures and marine applications where silencer height is critical.

Low temperature design not only reduces skin temperature, but radiated noise as well.

These units feature heavy duty, welded construction with temperature resistant insulation within a double wall construction. The inlet and outlets are standard with ANSI drilled 125/150 lb flanges.

Standard finish is high temperature resistant silicone black. Alternate finishes are available upon request. Standard material is carbon steel, but stainless steel construction is available.

FEATURES

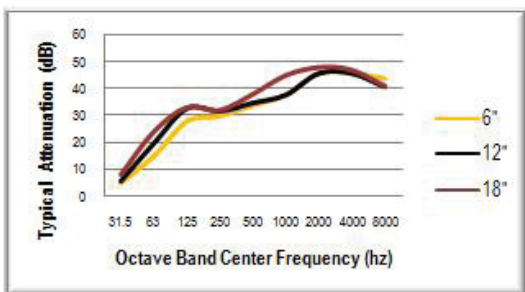
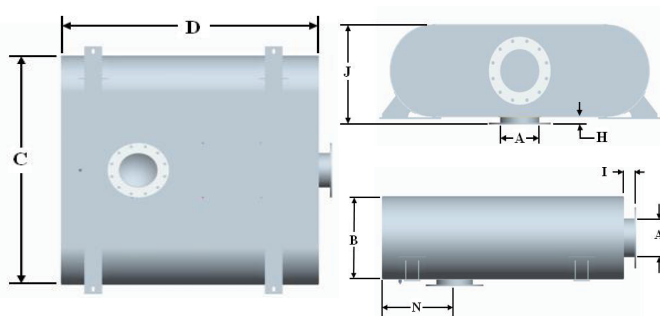
- Low surface temperature design
- Heavy duty, welded construction
- ANSI drilled flanges on inlet and outlet
- High heat silicone black finish
- Drain connections
- 2” thick insulation

OPTIONAL ACCESSORIES

- Aluminized construction
- Stainless steel construction: 304, 316, 321
- Custom inlet and outlet size and location
- Support brackets
- Special paint
- Complete range of exhaust accessories

TYPICAL APPLICATIONS

- Enclosures
- Marine



Size	A	B	C	D	N	H	I	J	Est. Wt.
4"	4	12	35	35	9.5	2	4	14	362
5"	5	12	41	41	9.5	2	4	14	465
6"	6	14	50	50	11	2	4	16	693
8"	8	16	58	58	12	2	4	18	954
10"	10	19	70	70	13	2	4	21	1389
12"	12	22	78	78	15	2	4	24	1883
14"	14	25	84	84	16	3	5	28	2304
16"	16	28	88	88	17	3	5	31	2686
18"	18	30	94	106	18	3	5	33	3372
20"	20	32	94	124	19	3	5	35	3935

Note: Dimensions are in inches, weights are in pounds