

OVERVIEW

**Thin Line Silencer:
Expected Attenuation is 35 to 55 dBA**

The MR62 is engineered to provide a “hospital plus” grade of attenuation while minimizing space usage. It is designed specifically for enclosures and marine applications where silencer height is critical.

Low temperature design not only reduces skin temperature, but radiated noise as well.

These units feature heavy duty, welded construction with temperature resistant insulation within a double wall construction. The inlet and outlets are standard with ANSI drilled 125/150 lb flanges.

Standard finish is high temperature resistant silicone black. Alternate finishes are available upon request. Standard material is carbon steel, but stainless steel construction is available.

FEATURES

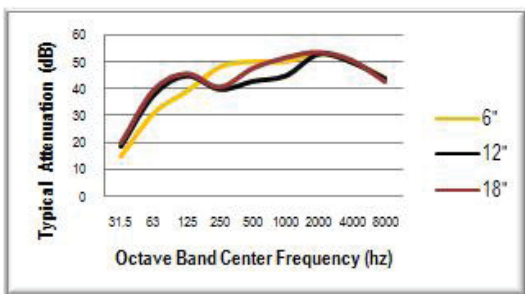
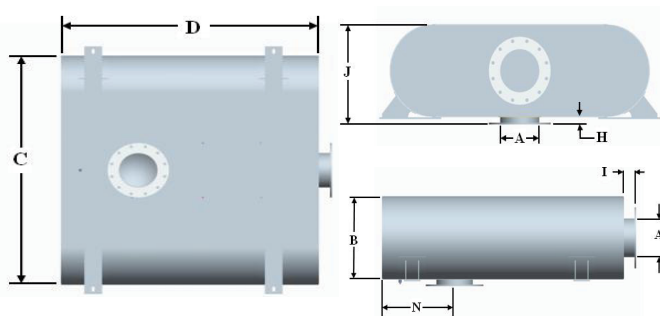
- Low surface temperature design
- Heavy duty, welded construction
- ANSI drilled flanges on inlet and outlet
- High heat silicone black finish
- Drain connections
- 2" thick insulation

OPTIONAL ACCESSORIES

- Aluminized construction
- Stainless steel construction: 304, 316, 321
- Custom inlet and outlet size and location
- Support brackets
- Special paint
- Complete range of exhaust accessories

TYPICAL APPLICATIONS

- Enclosures
- Marine



Size	A	B	C	D	N	H	I	J	Est. Wt.
4"	4	13	39	57	9.5	2	4	15	627
5"	5	14	49	69	9.5	2	4	16	905
6"	6	17	58	80	11	2	4	19	1274
8"	8	20	68	94	12	2	4	22	1800
10"	10	23	78	98	13	2	4	25	2365
12"	12	26	80	102	15	2	4	28	2615
14"	14	30	86	108	16	3	5	33	3183
16"	16	32	94	130	17	3	5	35	4224
18"	18	36	94	160	18	3	5	39	5183
20"	20	38	94	184	19	3	5	41	6252

Note: Dimensions are in inches, weights are in pounds